

GT5000

“Presenting” the GT5000 Series TTW ATM

Genmega introduces the **GT5000** series ATM. A high performance yet economical **Through-The-Wall ATM** solution with the look and feel of a full bank ATM. Designed for wall or Kiosk installation, the **GT5000** series makes new TTW installation or replacements a snap. Built with the same compact modular components as your existing Genmega machines and engineered for easy installation and reliable operation. The **GT5000** includes high-end features like a 15” High Bright LCD which support custom advertisements and a 3-cassette cash dispenser with motorized cash presenter. A new Touch-Screen rear-service panel allows convenient and safe access for ATM Operators and Service personal.

The **GT5000** series ATM is ADA compliant and Chip Card (EMV) ready, including a PCI / Interac certified encrypting PIN pad (EPP), a voice guidance system, and lighted action indicators (including lighted keypad). Features of a high end **Through-The-Wall ATM** with the low maintenance and reliability that Genmega delivers makes this an excellent TTW solution.



www.genmega.com

GENMEGA

GT5000

Integrated Illuminated Topper Sign

High Visibility LED Sign
Attract Customers

LCD Screen

15 inch color TFT-LCD Panel
High bright LED backlight (800cd/m²)
1024 x 768 (XGA+) Resolution

Printer

80mm/3" Receipt Printer
200DPI monographic printing

PIN Entry Device

16-key alpha numeric keypad
PCI / Interac Certified
Triple-DES (TDES) EPP

Rear Service Panel

7 inch color touch screen
Backlit TFT LCD panel
800 x 480 Resolution

Communication

56Kb Internal Modem
TCPIP Ethernet - SSL



CPU

Cortex-A8 32-bit CPU
DDR2 256MB RAM / WinCE 6.0 OS
Electronic Journal > 40K transactions

ADA

Voice Guidance
Lighted Transaction Guidance
Accessible Keypad Layout

Card Reader

DIP Style Magnetic Card Reader
EMV - Optional

Security

UL291 Business Hours Vault
Electronic Lock or Cencon (optional)

Cash Dispenser

1 x 1700 Note Cassette
2 x 1700 Note Multi-Cassette
3 x 1700 Note Multi-Cassette
Presenter Module

Dimensions

Height = 56.7"
Width = 24.1"
Depth = 33.9"
Weight = 570 lbs

Operating Environment

Temperature range : 40°F - 95°F
Relative humidity : Non-condensing=15%-85%

Power Requirements

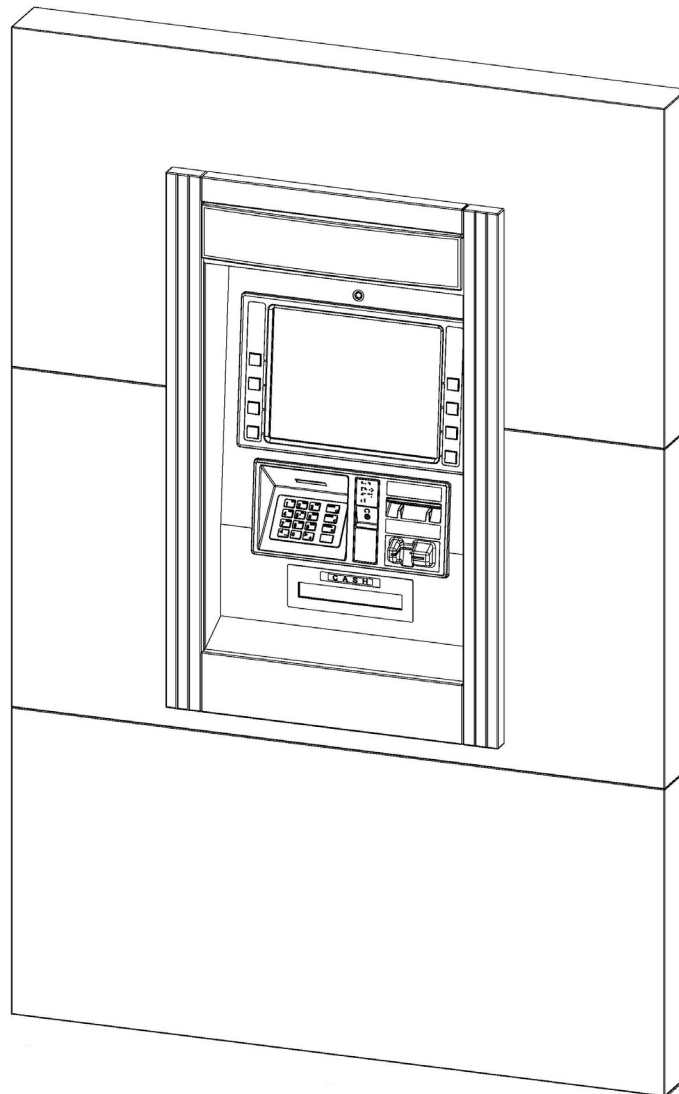
110/220 VAC ± 10%, 50/60 Hz, 145 Watts



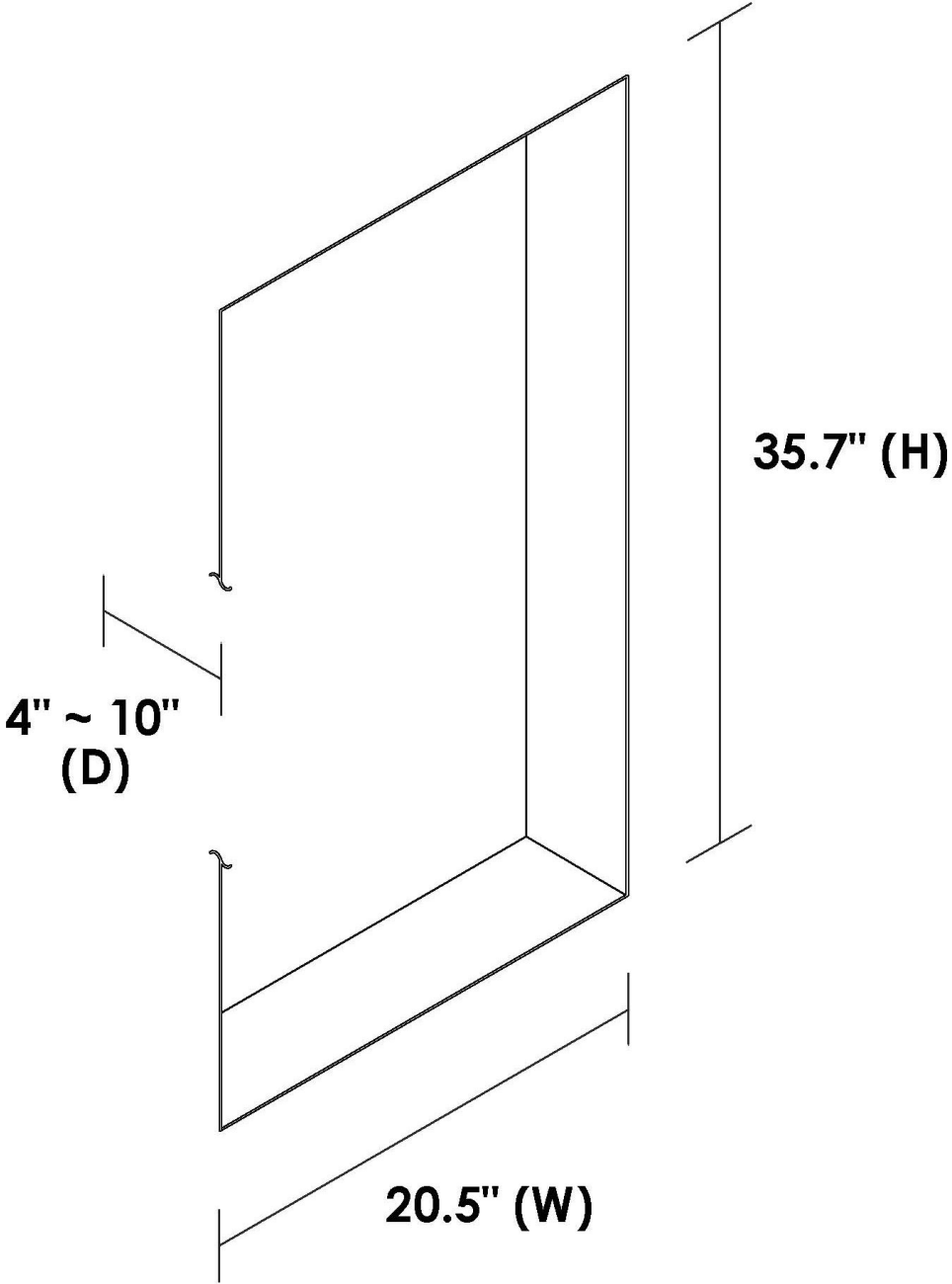


GT5000

Installation Specs

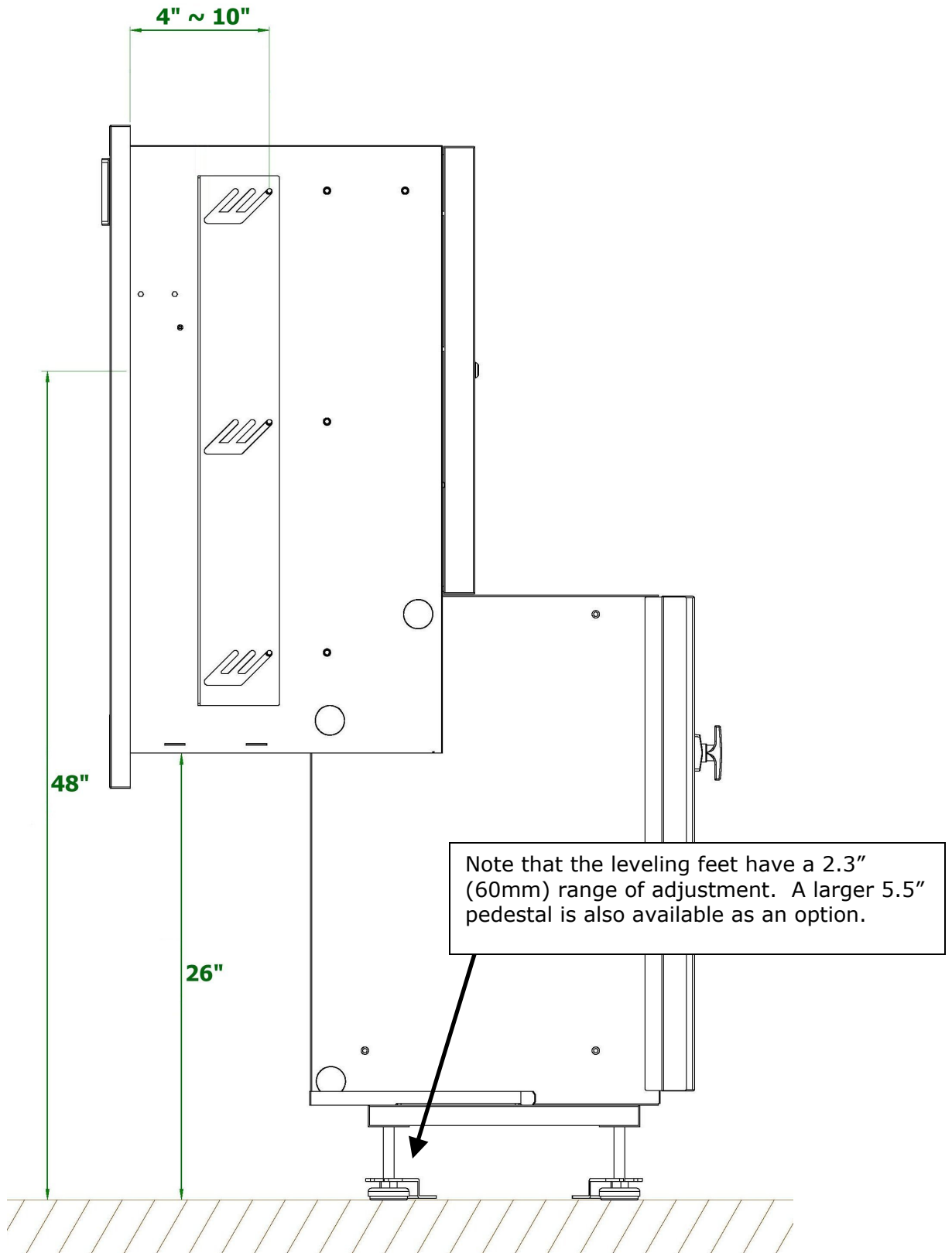


This document provides dimensions and specs for planning your GT5000 installation. The wall hole should be sized 35.7" (height) and 20.5" (width) as shown below.

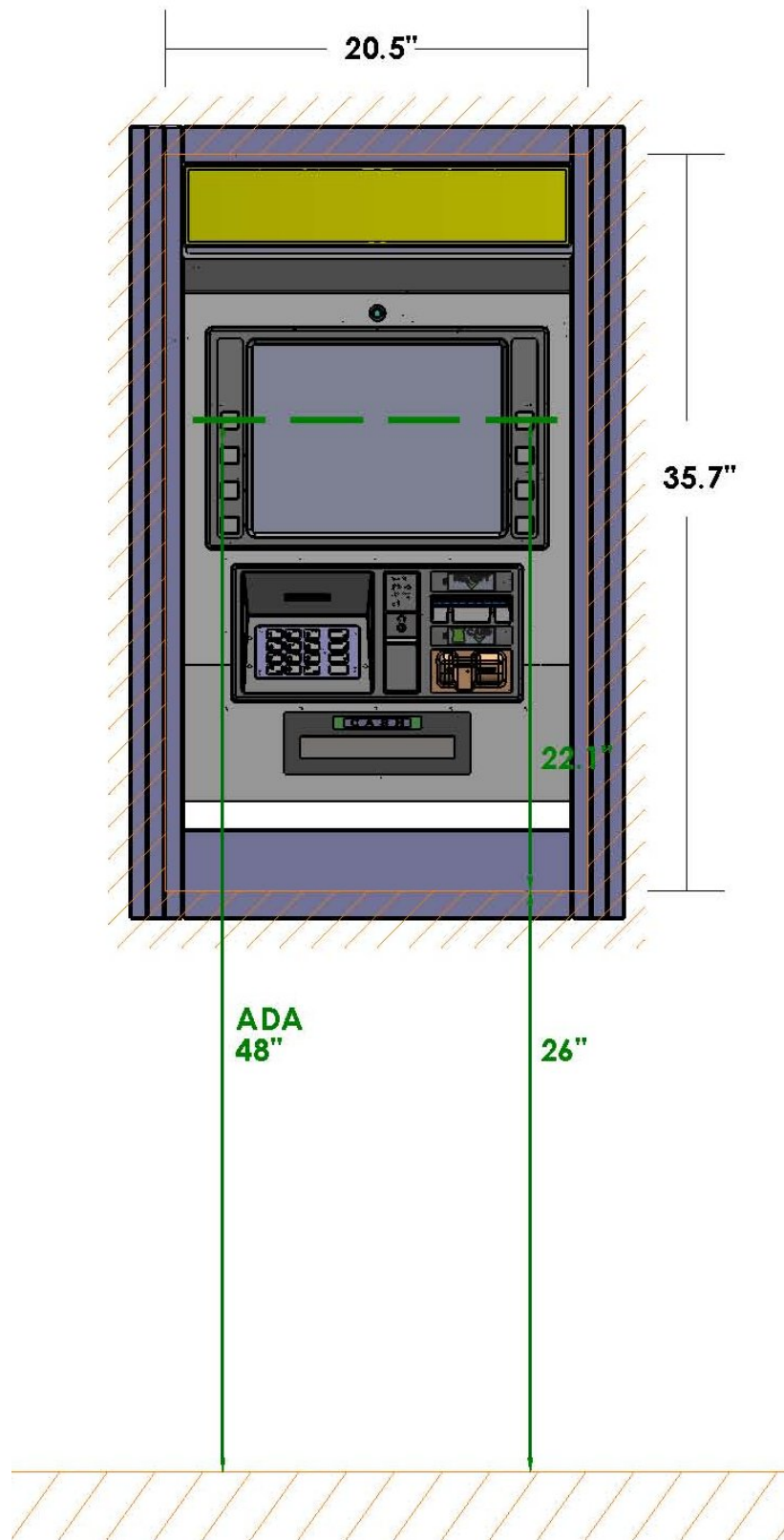


The maximum wall thickness for installation is 10". If a wall thickness of less than 4" will be used, then you will need to fabricate a spacer to fill the distance between the back of the wall and the side brackets.

The dimensions below show the machine installed so that the upper-most control is at the 48" height required for ADA.



The following shows how to set the hole dimensions so that the machine will have the correct height for ADA compliance.



The outside dimensions of the GT5000 are shown below, the 24" X 38.5" dimension represents the machine with the front bezel installed.

